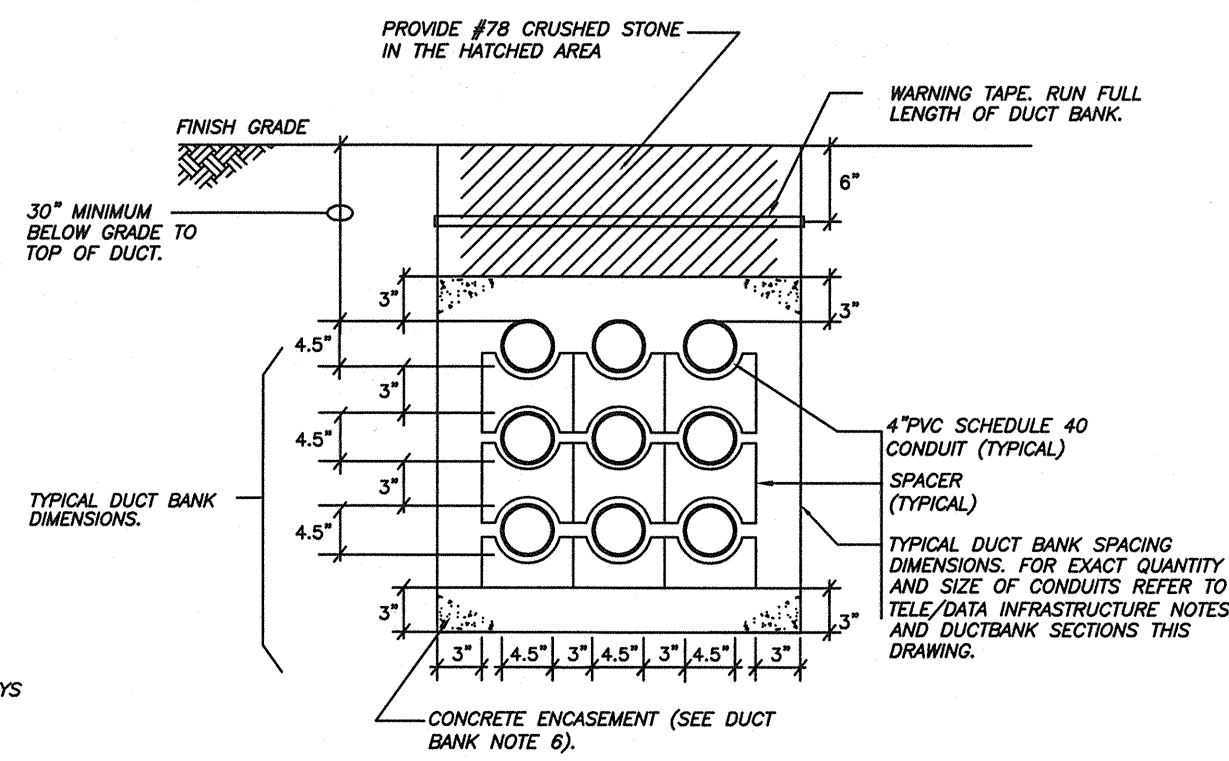
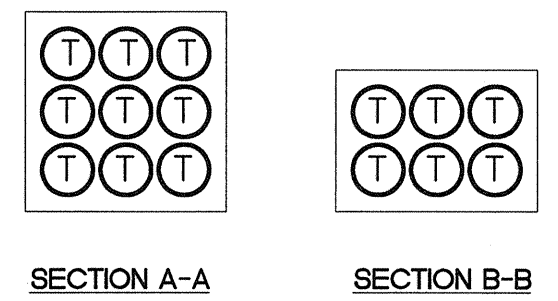


DATE	10/1/2011
CHECKED	JCM
DESIGNED	EB
DATE	09/28/11
REVISION	
DATE	
REVISION	
DATE	
REVISION	
DATE	
REVISION	

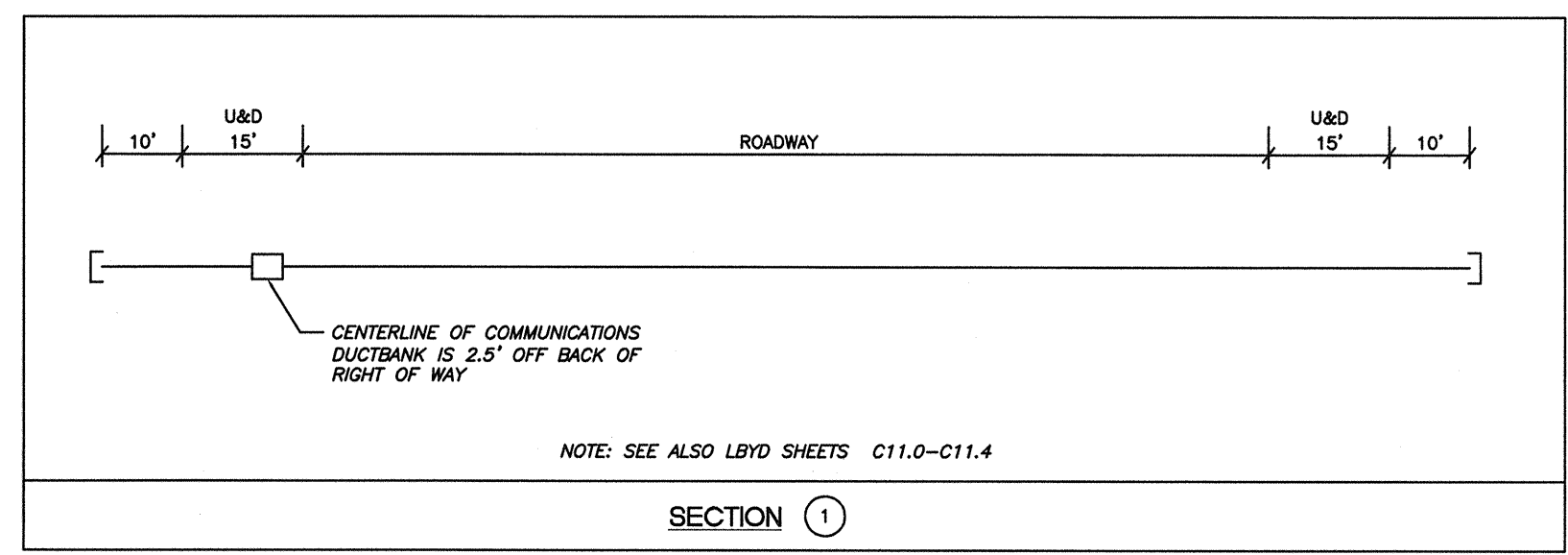
- DUCTBANK NOTES**
- ALL DUCT BANKS SHALL BE INSTALLED WITH SPACERS (3"-8" ON CENTER & AT EACH COUPLING).
 - CONDUITS SHALL MAINTAIN A MINIMUM 30" CLEARANCE FROM FINISH GRADE TO TOP OF DUCT.
 - TELEPHONE CONDUITS SHALL MAINTAIN A MINIMUM CLEARANCE OF 1'-0" FROM PRIMARY POWER CONDUITS.
 - PROVIDE AND INSTALL DUCTBANK MARKERS EVERY 200'-0". PROVIDE ALSO WARNING TAPE, RUN FULL LENGTH OF DUCT BANK.
 - DUCTBANK SECTIONS SHOW GENERAL CONFIGURATION ONLY, TO REFLECT QUANTITY OF CONDUITS. EXACT CONFIGURATION AND ROUTING SHALL BE AS REQUIRED BY FIELD CONDITIONS. SEE TYPICAL UTILITY PLACEMENT CROSS SECTION FOR DUCT BANK LOCATION WITHIN THE 15' U&D EASEMENT ON DWG. C11.4.
 - PROVIDE CONCRETE ENCASEMENT UNDER ROADWAYS ONLY. CONCRETE SHALL BE 3000PSI.
 - SEE TELE/DATA INFRASTRUCTURE NOTES AND DUCTBANK SECTIONS ON THIS DRAWING FOR CONDUIT SIZES, QUANTITIES AND CONFIGURATION.
 - DUCT LINES SHALL BE LAID TO A MINIMUM GRADE OF 4 INCHES PER 100 FEET. GRADE (PITCH) MAY BE FROM ONE MANHOLE OR HAND HOLE TO THE NEXT, OR BOTH WAYS FROM A HIGH POINT BETWEEN MANHOLES OR HAND HOLES, DEPENDING ON CONTOUR OF THE FINISH GRADE, SO THAT ALL DUCTS WILL EMPTY OUT INTO THE MANHOLES OR HAND HOLES. DUCT LINES SHALL BE INSTALLED SO THAT THE TOP OF DUCTBANK IS NOT LESS THAN 30 INCHES BELOW FINISHED GRADE.
 - EACH CONDUIT WITHIN THE COMMUNICATIONS DUCT BANK WILL BE ASSIGNED TO A SPECIFIC VENDOR AND/OR SERVICE THROUGHOUT THE DEVELOPMENT.



TYPICAL DUCT BANK DIMENSIONAL DRAWING
N.T.S.

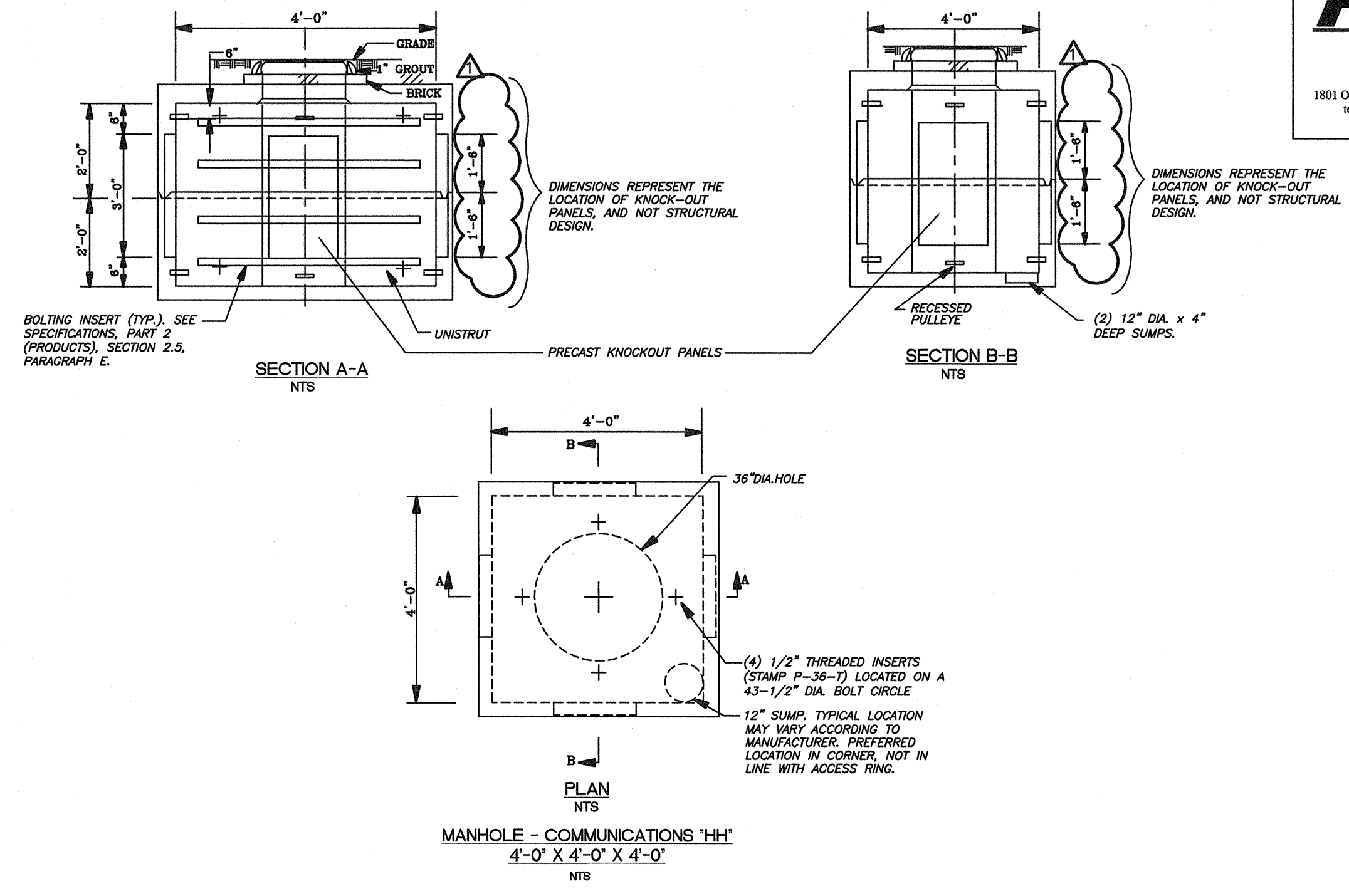


SECTION A-A SECTION B-B

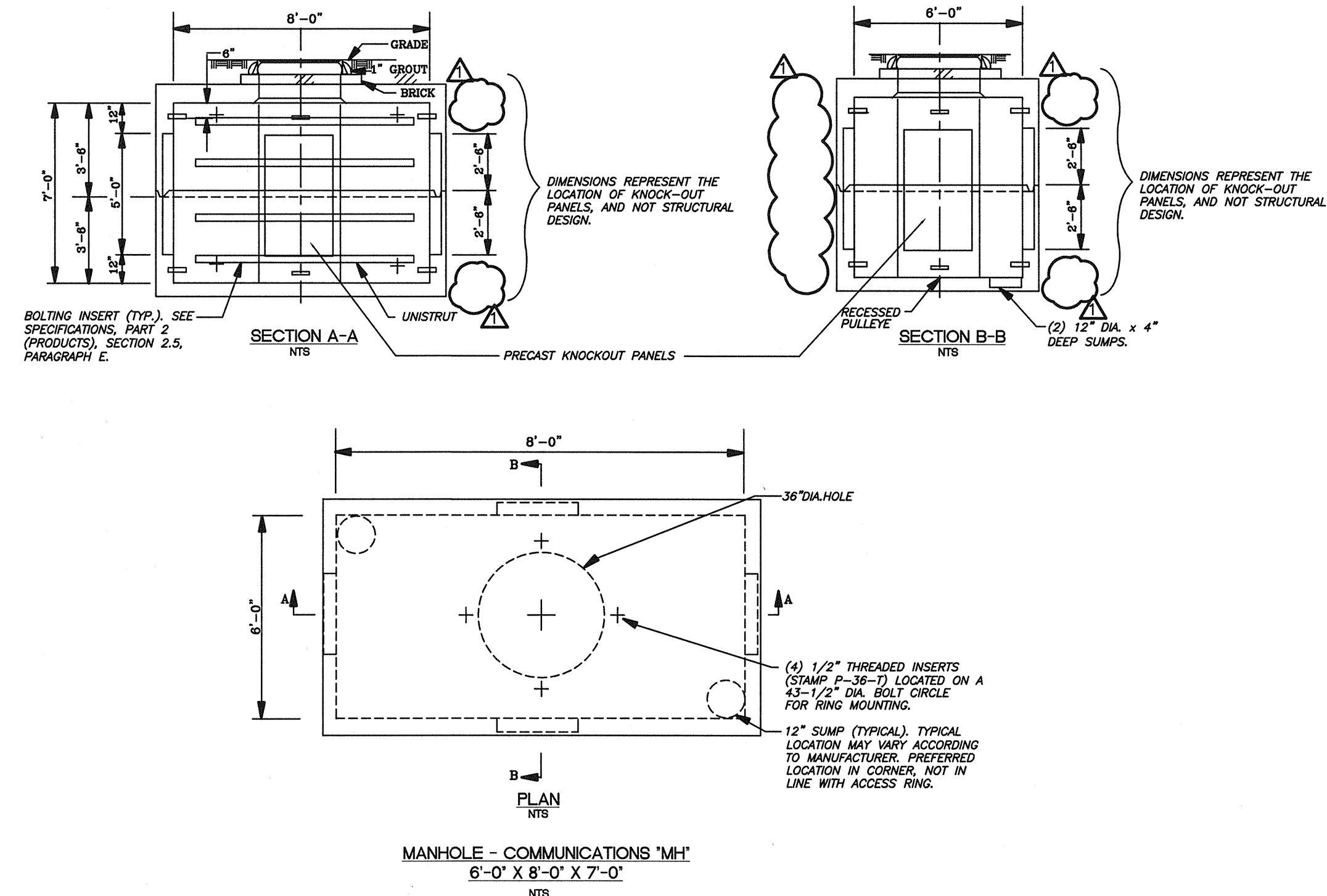


NOTE: SEE ALSO LBVD SHEETS C11.0-C11.4

SECTION 1



MANHOLE - COMMUNICATIONS 'MH'
4'-0" X 4'-0" X 4'-0"
NTS



MANHOLE - COMMUNICATIONS 'MH'
6'-0" X 8'-0" X 7'-0"
NTS

- NOTE:**
- SEE SUPPLEMENTAL SPECIFICATIONS PATHWAYS FOR COMMUNICATIONS SYSTEMS FOR MANHOLE CRITERIA AND MANUFACTURER INFORMATION.
 - SEE SUPPLEMENTAL SPECIFICATIONS PATHWAYS FOR COMMUNICATIONS SYSTEMS FOR CABLE RACK ASSEMBLY CRITERIA.
 - SEE SUPPLEMENTAL SPECIFICATIONS PATHWAYS FOR COMMUNICATIONS SYSTEMS FOR FIXED MANHOLE LADDER CRITERIA.

